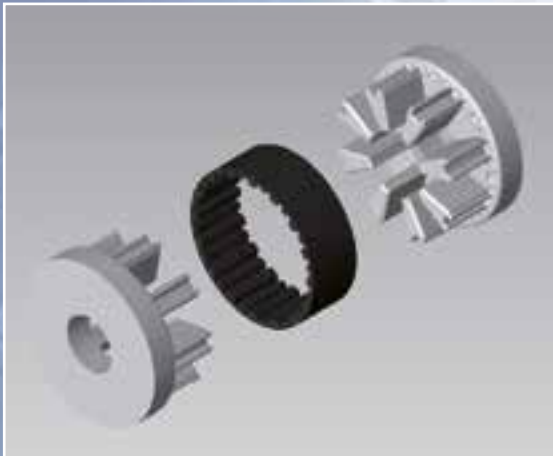


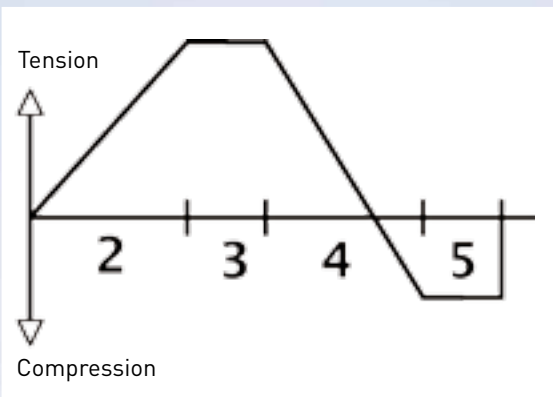
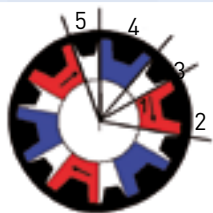


ECOGRIP COUPLING

The EcoGrip coupling can be used to transmit relatively high torques between shafts. It provides high damping and failsafe operation.



- Driver prongs
- Driven prongs



PRODUCT DESCRIPTION

- > The EcoGrip coupling consists of two solid end pieces with interlocking prongs onto which a toothed flexible elastomeric sleeve is fitted
- > The sleeve has a dual tooth design with large prong teeth and small gap teeth

PRINCIPLE

- > When one of the shafts is turned, alternate elements in the sleeve are put into tension and compression
- > The large number of elements enable the coupling to transmit relatively high torques for a compact package size
- > Load transfer takes place in the following sequence: (1) loading of the driver prong, (2) tooth shear driver prong, (3) tension in the sleeve, (4) tooth shear driven prong, (5) compression in sleeve and gap tooth
- > The teeth in contact with the driver prongs are in tensile shear and are therefore made as large as possible to maximise the tooth shear area and the load that can be transmitted
- > The teeth in the gaps are in compression or unloaded and are made smaller



APPLICATIONS AND BENEFITS

- > Vacuum pump and injection pump applications
- > Many other possibilities e.g. EPAS, WP
- > Failsafe operation
- > High damping
- > Complements existing EuroGrip® coupling range

Size	EcoGrip			EuroGrip®	
	N°28 Type	N° 19 Type / Vac Pump	Injection Pump Type	N° 28	N° 19
Pitch	2PI	1.5PI	1.5PI		
Prongs	8	6	8		
End Piece O.D. (mm)	64	36	47.4	62	36
Sleeve O.D. (mm)	68	38.7	50.05	78	38
Sleeve Width (mm)	18	11.75	28.75	38CR 35 HNBR	28
Nominal Torque (Nm)	150 HNBR	30 HNBR	95 HNBR	70 CR Dia 78 80 HNBR Dia 70 125HNBR Dia 78	18 CR
Peak Torque (Nm)	220 HNBR	58 HNBR	184 HNBR	110 CR Dia 78 140 HNBR Dia 70 160 HNBR Dia 78	30 CR

For more information:
inforequest@gates.com
Gates.com/europe

